

Metallic Systems

SP Fitting Type B



Technical Characteristics

Conforms to BSI Kitemark KM-35161
Low voltage directive
Inherent Low Fire Hazard

Approvals and Standards



Degree of mechanical protection

High

Degree of protection

IP54 - with all [Adaptasteel](#) liquid resistant conduit in the series

UV protection

Very High

Fitting characteristics



Straight fitting - swivel external thread

Application

For insertion into threaded entries & knockouts using a locknut

Normal operating temperature range

Application	Min Temp	Max Temp
Static	- 50°C	+350°C
Dynamic	- 45°C	+250°C

For use with - Conduit Series

Type [SP](#), [SN](#) & [LFH-SP](#)

Fire performance

Test Standard

Performance Rating

EN45545	ILFH
NFF16-101	ILFH
LUL-1085	ILFH
BS6855	ILFH
DIN 5510-2	ILFH



Testing data

Click or see page [3](#)

Type of material

Nickel Plated Brass

Image



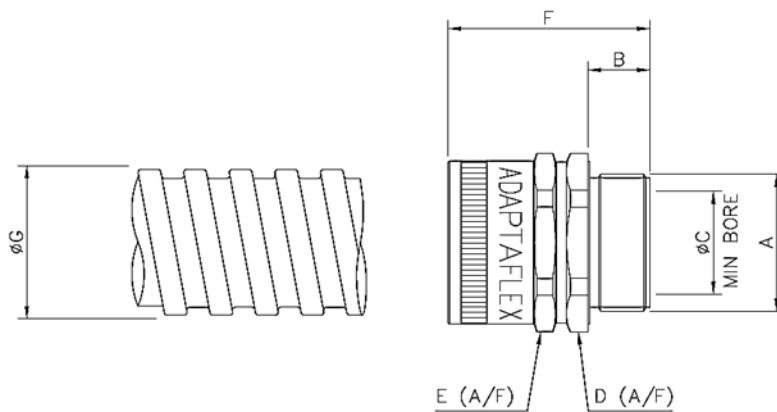
Metallic Systems

SP Fitting Type B



Dimensional Data

Part No	Thread A	Nominal Dimensions (mm)					Nominal Conduit - \varnothing G (mm)
		B	C	D	E	F	
SP10/M10/B	M10 x 1.0	8.0	4.1	14.0	14.0	29.2	10.0
SP10/M12/B	M12 x 1.5	8.0	5.5	14.0	14.0	29.2	12.0
SP12/M16/B	M16 x 1.5	8.0	7.5	17.0	17.0	29.5	12.0
SP16/M16/B	M16 x 1.5	8.3	10.2	20.0	20.0	31.6	16.0
SP16/M20/B	M20 x 1.5	9.0	10.2	20.0	20.0	32.4	16.0
SP20/M20/B	M20 x 1.5	10.0	14.5	24.0	24.0	33.9	20.0
SP25/M25/B	M25 x 1.5	12.0	16.9	30.0	30.0	46.0	25.0
SP32/M32/B	M32 x 1.5	14.0	24.1	38.0	38.0	47.0	32.0
SP40/M40/B	M40 x 1.5	15.0	30.8	50.0	50.0	55.7	40.0
SP50/M50/B	M50 x 1.5	15.0	42.5	66.5	66.5	57.9	50.0



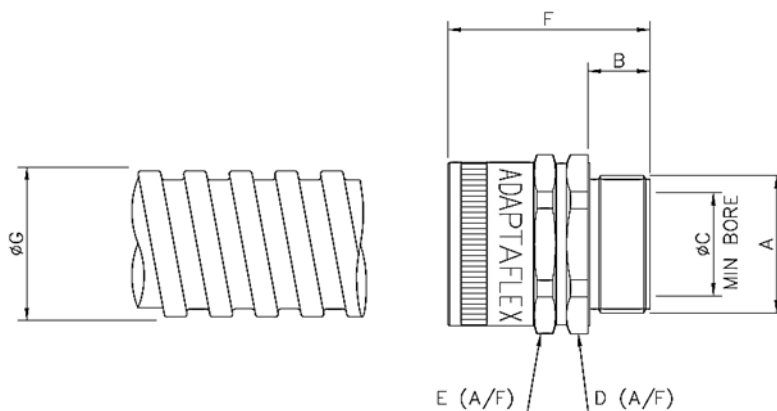
Metallic Systems

SP Fitting Type B



Dimensional Data

Part No	Thread A	Nominal Dimensions (mm)					Nominal Conduit - ϕ G (mm)
		B	C	D	E	F	
SP10/PG7/B	PG7	8.0	4.1	14.0	14.0	29.0	10.0
SP12/PG9/B	PG9	7.8	7.5	17.0	16.8	29.5	12.0
SP16/PG11/B	PG11	9.0	10.2	20.0	20.0	32.4	16.0
SP20/PG16/B	PG16	10.0	14.5	24.0	24.0	33.9	20.0
SP25/PG21/B	PG21	12.0	16.9	30.0	30.0	46.0	25.0
SP32/PG29/B	PG29	14.0	24.1	38.0	38.0	47.0	32.0
SP40/PG36/B	PG36	15.0	30.8	50.0	50.0	55.7	40.0
SP50/PG42/B	PG42	15.0	42.5	66.5	66.5	57.9	50.0



Metallic Systems

SP Fitting Type B



Chemical Resistance Chart

Key:

Suitable :



Limited Suitability :



Unsuitable :



Not Tested :



Astm No.1	Diesel oil	Methyl Bromide	Sulphur Dioxide (Gas)
Astm No.2	Diethylamine	MEK	Sulphuric Acid (10%)
Astm No.3	Ethanol	Nitric Acid (10%)	Sulphuric Acid (70%)
Acetic Acid (10%)	Ether	Nitric Acid (70%)	Toluene
Acetone	Ethylamine	Oxalic Acid	Transformer Oil
Aluminium Chloride	Ethylene Glycol	Ozone (Gas)	1,1,1-Trichloroethane
Aniline	Ethyl Ethanoate	Paraffin oil	Trichloroethylene
Benzaldehyde	Freon 32	Petrol	Turpentine
Benzene	Hydrochloric Acid (10%)	Phenol	Vegetable Oil
Carbon tetrachloride	Hydrochloric Acid (36%)	Sea Water	Vinyl Acetate
Chlorine water	Hydrogen Peroxide (35%)	Silver Nitrate	Water
Chloroform	Hydrogen Peroxide (87%)	Skydrol	White Spirit
Citric Acid	Lactic Acid	Sodium Chloride	Zinc Chloride
Copper Sulphate	Lubricating oil	Sodium Hydroxide (10%)	
Cresol	Methanol	Sodium Hydroxide (60%)	

The information above is given as a guide only and is based on published technical data and experience. The chemical resistance of the above products is dependant on factors such as chemical exposure, concentration of the chemical and temperature. The above chemicals are valid for a temperature of 23°C. Use of the above table is at the users own discretion and risk. Those using it must satisfy themselves that their application presents no health and safety risks. The end user should assess compatibility with their application and contact Thomas & Betts for further information.

ADHERENCE TO THE CURRENT WIRING REGULATIONS BS7671 OR NEC WIRING REGULATIONS (FOR USA) IS STRONGLY ADVISED.

MINIMUM BEND RADIUS FOR FLEXING IS DEPENDANT UPON MINIMUM TEMPERATURE, BENDING FREQUENCY AND CHEMICAL ENVIRONMENT.

Thread Data

Metric	Standard thread conforming to EN60423 & BS3643			PG	German Standard thread conforming to DIN40430		
	Ext Thread Outside Diameter	Int Thread Inside Diameter	Pitch		Thread Size	Ext Thread Outside Diameter	Int Thread Inside Diameter
M10	10.0	8.9	1.0	PG7	12.5	11.3	1.27
M12	12.0	10.4	1.5	PG9	15.2	13.9	1.41
M16	16.0	14.4	1.5	PG11	18.6	17.3	1.41
M20	20.0	18.4	1.5	PG13.5	20.4	19.1	1.41
M25	25.0	23.4	1.5	PG16	22.5	21.2	1.41
M32	32.0	30.4	1.5	PG21	28.3	26.8	1.59
M40	40.0	38.4	1.5	PG29	37.0	35.5	1.59
M50	50.0	48.4	1.5	PG36	47.0	45.5	1.59
M63	63.0	61.4	1.5	PG42	54.0	52.2	1.59
M75	75.0	73.4	1.5	PG48	59.3	57.8	1.59